

TECHNICAL SPECIFICATIONS FIRE RATED INTERNAL

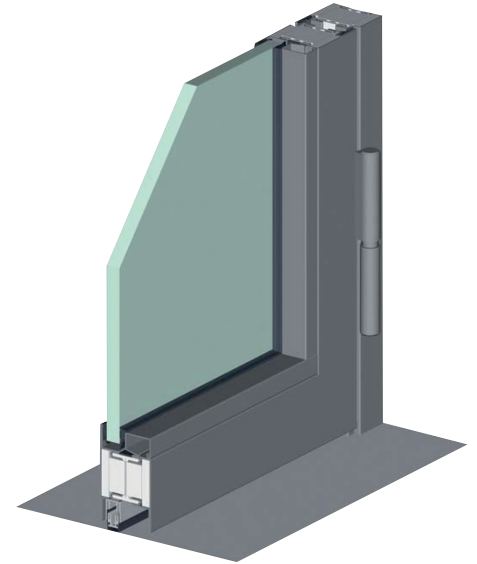
STEEL PROFILE GLAZED DOORS



STEEL PROFILE GLAZED DOORS



Glazed or fire-rated steel profile glazed doors with a thermal and insulation infill. With excellent profile stability, thanks to high quality insulating cores and mechanically undercut bond.



Janisol 3 EI30 Profile



FIRE RESISTANCE

E115, 30, 60.

WATER RESISTANCE

2A

AIR PENETRATION

Class C1

WIND RESISTANCE

Class C2

LEAF DEPTH

60mm

GLASS THICKNESS

6 - 38mm

THERMAL PROPERTIES

2.9 - 2.3 W/M²K

COLOUR

RAL Standard

GLAZING

Pyrobel EI 60 26/6/33, 2 in door leaf Pyrobel EI 60 26/6/33, 2

THRESHOLD

5mm

PROFILE SYSTEM (Frame)

Janisol 3 EI60

PROFILE SYSTEM (Door)

Janisol 3 EI30

HARDWARE

Handle-handle stainless steel, 1 lock with standard cylinder, door closer GEZE TS 4000,

WARRANTY AND OPTIONS

Each door comes with a 5 year construction warranty.

Janisol 3 EI60 Profile

